

ICBVI42S**FEATURES**

Rigorously tested for decades of use

Exceptional support from our Customer Care team

Heavy-gauge stainless steel

Four LED lights with two brightness settings

Front-mounted electronic controls

Dishwasher-safe filters

Telescoping chimney reaches standard ceiling heights

Powerful blower options

ACCESSORIES

Chimney Extension - accommodates most 3 m ceilings

Make-up air damper

Recirculating kit and filter for non-ducted applications

Recirculating Filter

Remote Control

Accessories available through an authorized dealer.

For local dealer information, visit subzero-wolf.com/locator.

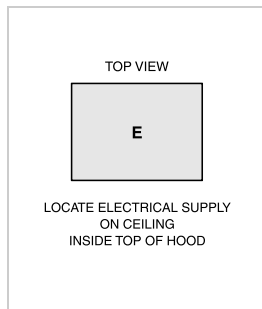
**BLOWER OPTIONS**

- 900 CMH Internal Blower
- 1528 CMH Remote Blower

PRODUCT SPECIFICATIONS

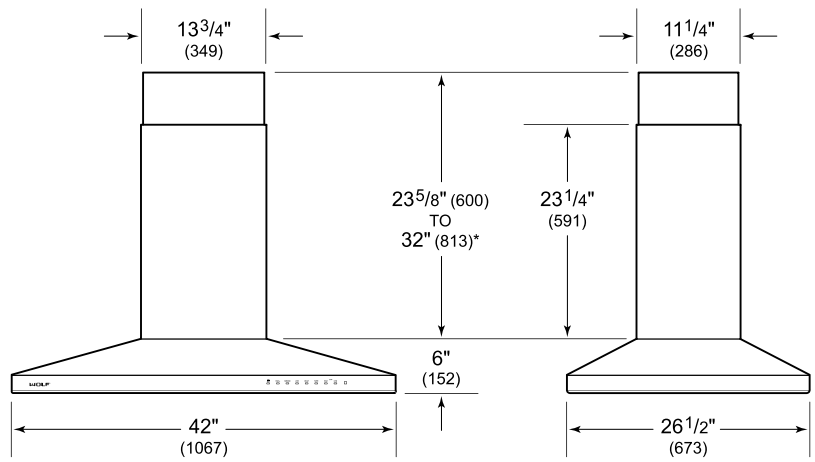
Model	ICBVI42S
Dimensions	1067mmW x 133mmH x 673mmD
Weight	50 kg
Electrical Supply	220-240 VAC; 50/60 Hz
Electrical Service	≤ 6 A
Discharge Dimensions	150 mm Round
Bottom of Hood to Countertop	762 mm to 914 mm
Receptacle	3-prong grounding-type

ELECTRICAL



NOTE: Dimensions in parenthesis are in millimeters unless otherwise specified

DIMENSIONS



*51 1/8" (1299) to 59 1/2" (1511) with accessory flue extension.