



PREPARED EXCLUSIVELY FOR SUB-ZERO SUB-ZERO

Specifications are subject to change without notice. This information was generated on October 17, 2023 and reflects the published specifications for the included models at that time. For detailed installation specifications prior to finalizing your cabinetry/enclosures please download the Design Guides or contact Customer Care.

ICBID-24RO



FEATURES

Ready to be fitted with custom panels and handles to blend with cabinetry

Soft-on LED lights for varying degrees of brightness

Smart-touch controls for streamlined access to more settings

Soft-close doors and drawers

Crispers and deli drawers in low-temp, high-humidity zones for optimum freshness

Tight seal maintains low-temp, high-humidity for optimum freshness

Weather resistant stainless steel panel accessories protect against UV rays, salt, and moisture

ACCESSORIES

Egg Container

Dual installation kits

Stainless steel front panels with tubular or pro handles

Stainless steel kickplate

Stainless Steel Pro Handles

Stainless Steel Tubular Handles

Accessories are available through an authorized dealer.
For local dealer information, visit subzero-wolf.com/locator.



PRODUCT DETAILS

REFRIGERATOR

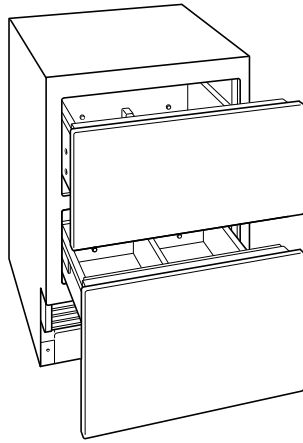
- 2 refrigerator storage drawers with removable dividers
- Suitable for indoor and outdoor installations

PRODUCT SPECIFICATIONS

Model	ICBID-24RO
Dimensions	610mmW x 876mmH x 610mmD
Weight	77 kg
Refrigerator Gross Capacity	114 L
Electrical Supply	220-240 VAC; 50/60 Hz
Electrical Service	≤ 2 A
Receptacle	3-prong grounding-type

NOTE: Dimensions in parenthesis are in millimeters unless otherwise specified

INTERIOR VIEW



This illustration is intended for interior reference only and may not represent the exterior of the model being specified.

DIMENSIONS

