

ICBEC3050TE/S

FEATURES

- Intuitive touchscreen
- Save favorites within six independent user profiles
- Easy beverage customization
- Over 15 different beverage options
- Insulated milk container
- Accepts whole bean or ground coffee
- Large water tank
- Height-adjustable, dual dispensing coffee spout
- Cleaning and rinse container
- Storage
- Installation made simple
- Coordinates with other Sub-Zero and Wolf appliances
- Ensured dependability

ACCESSORIES

- Care Kit
- Charcoal Filter
- Descaling Solution
- Insulated Milk Container

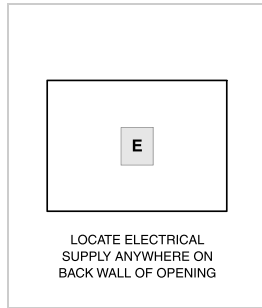
Accessories available through an authorized dealer.
For local dealer information, visit subzero-wolf.com/locator.



PRODUCT SPECIFICATIONS

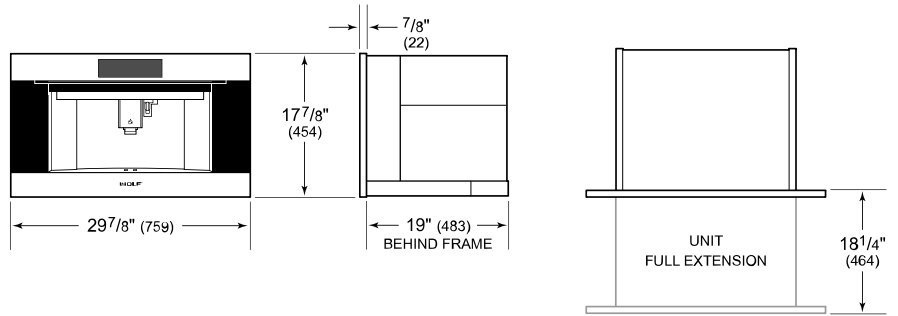
Model	ICBEC3050TE/S
Dimensions	759mmW x 454mmH x 483mmD
Electrical Supply	120 VAC, 60 Hz
Electrical Service	1350 W

ELECTRICAL



NOTE: Dimensions in parenthesis are in millimeters unless otherwise specified

DIMENSIONS



FLUSH INSTALLATION



*Will be visible and should be finished to match cabinetry.
 **Dimension provides minimum reveals.