

ICBEC3050PE/S

**FEATURES**

Intuitive touchscreen

---

Save favorites within six independent user profiles

---

Easy beverage customization

---

Over 15 different beverage options

---

Insulated milk container

---

Accepts whole bean or ground coffee

---

Large water tank

---

Height-adjustable, dual dispensing coffee spout

---

Cleaning and rinse container

---

Storage

---

Installation made simple

---

Coordinates with other Sub-Zero and Wolf appliances

---

Ensured dependability

**ACCESSORIES**

Care Kit

---

Charcoal Filter

---

Descaling Solution

---

Insulated Milk Container

Accessories available through an authorized dealer.

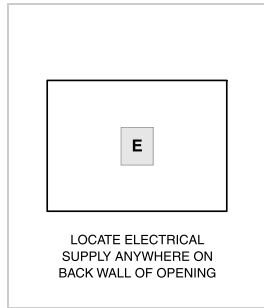
For local dealer information, visit [subzero-wolf.com/locator](http://subzero-wolf.com/locator).



**PRODUCT SPECIFICATIONS**

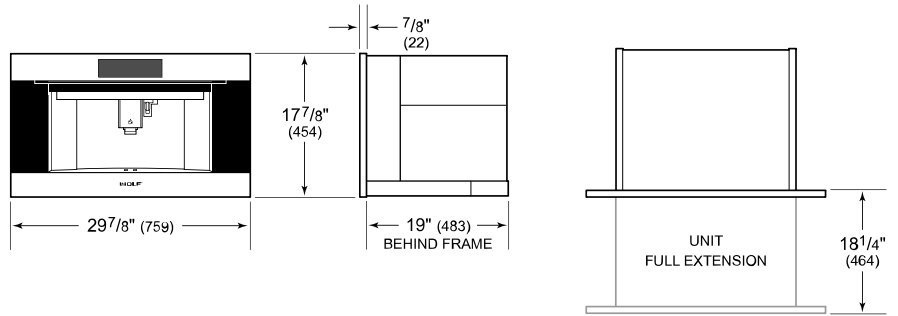
Model	ICBEC3050PE/S
Dimensions	759mmW x 454mmH x 483mmD
Electrical Supply	120 VAC, 60 Hz
Electrical Service	1350 W

**ELECTRICAL**



**NOTE:** Dimensions in parenthesis are in millimeters unless otherwise specified

**DIMENSIONS**



**FLUSH INSTALLATION**



\*Will be visible and should be finished to match cabinetry.  
 \*\*Dimension provides minimum reveals.