

ICBDF606CG

FEATURES

- Rigorously tested for decades of use
- Exceptional support from our Customer Care team
- Dual-stacked burners produce up to 16 MJ/h
- Continuous cast-iron grates for easy movement of pots and pans
- Cobalt blue porcelain interior
- Dual convection oven for faster, more consistent cooking
- Spark ignition system re-ignites if flame goes out
- Heavy-gauge stainless steel
- Exclusive pivoting control panel
- Red, black or stainless steel control knobs
- Temperature probe cooks to ideal doneness and lets you know when it's ready
- Self clean, delayed start, timed cook, Sabbath mode and more
- Burners capable of delivering less than 0.5 MJ for premier simmer performance
- 10 cooking modes make meals easy
- Over 220 Litres of dual convection capacity in two ovens
- 6 dual-stacked burners plus 15 MJ infrared chargrill and 15 MJ infrared teppanyaki

ACCESSORIES

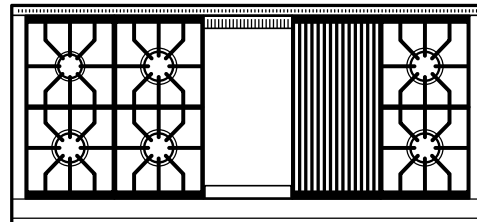
- Stainless steel, brass or chrome bezels
- 13 cm and 25 cm stainless steel risers, and 51 cm riser with shelf
- Accessories available through an authorized dealer.
- For local dealer information, visit subzero-wolf.com/locator.



KNOB-OPTIONS



TOP-CONFIGURATION



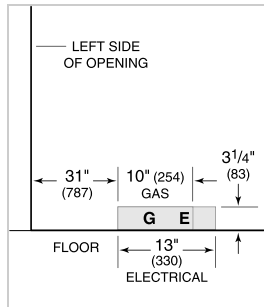
RANGETOP-SPECIFICATIONS

- 1 - 9 MJ/h Burner
- 5 - 16 MJ/h Burner
- 1 - 15 MJ/h Teppanyaki
- 1 - 15 MJ/h Chargrill

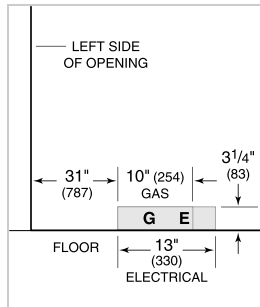
PRODUCT-SPECIFICATIONS

model	ICBDF606CG
dimensions	1527mmW x 937mmH x 749mmD
Oven 1 Interior Dimensions	635mmW x 419mmH x 483mmD
Oven 2 Interior Dimensions	635mmW x 419mmH x 483mmD
Oven 1 Overall Capacity	127 L
Oven 2 Overall Capacity	127 L
Door Clearance	495mm
weight	431 kg
electrical-supply	220-240 VAC; 50/60 Hz
electrical-service	38 amp
gas-inlet	Class B or Class D hose assembly

ELECTRICAL

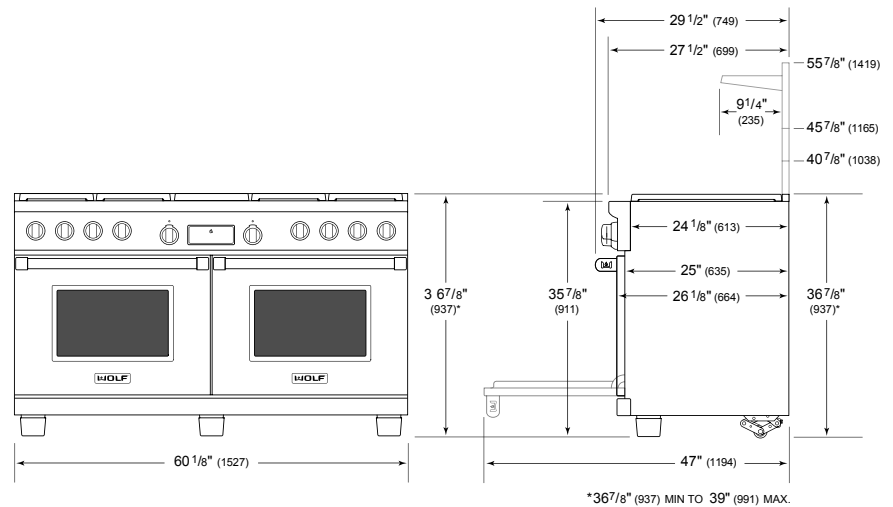


GAS

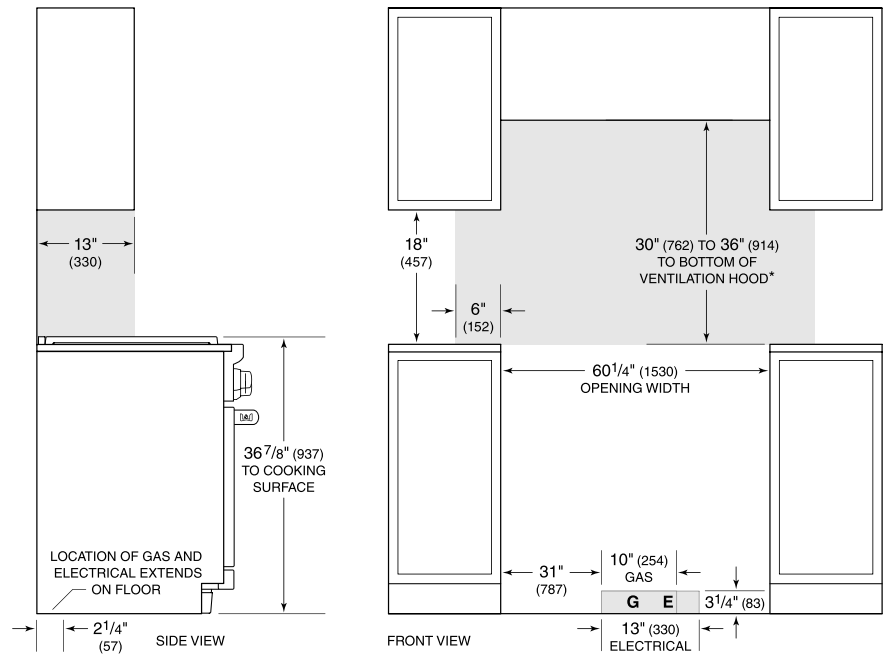


NOTE: Dimensions in parenthesis are in millimeters unless otherwise specified

DIMENSIONS



STANDARD INSTALLATION



**Without ventilation hood, 36" (914) minimum clearance countertop to combustible materials, 44" (118) for charbroiler.
NOTE: Shaded area above countertop indicates minimum clearance to combustible surfaces, combustible materials cannot be located within this area.
For island installation, 12" (305) minimum clearance back of range to combustible rear wall above countertop.*