

ICBDF366

FEATURES

- _____ Rigorously tested for decades of use
- _____ Exceptional support from our Customer Care team
- _____ Dual-stacked burners produce up to 16 MJ/h
- _____ Continuous cast-iron grates for easy movement of pots and pans
- _____ Cobalt blue porcelain interior
- _____ Dual convection oven for faster, more consistent cooking
- _____ Spark ignition system re-ignites if flame goes out
- _____ Heavy-gauge stainless steel
- _____ Exclusive pivoting control panel
- _____ Red, black or stainless steel control knobs
- _____ Temperature probe cooks to ideal doneness and lets you know when it's ready
- _____ Self clean, delayed start, timed cook, Sabbath mode and more
- _____ Burners capable of delivering less than 0.5 MJ for premier simmer performance
- _____ 10 cooking modes make meals easy
- _____ 6 dual-stacked, sealers burners

ACCESSORIES

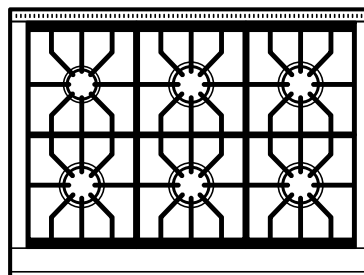
- _____ Stainless steel, brass or chrome bezels
- _____ 13 cm and 25 cm stainless steel risers, and 51 cm riser with shelf
- _____ Accessories available through an authorized dealer.
For local dealer information, visit subzero-wolf.com/locator.



KNOB-OPTIONS



TOP-CONFIGURATION



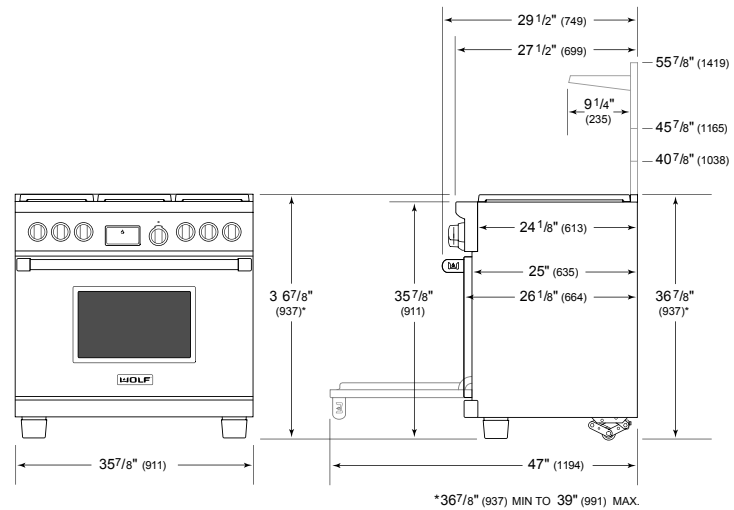
RANGETOP-SPECIFICATIONS

- 1 - 9 MJ/h Burner
- 5 - 16 MJ/h Burner

PRODUCT-SPECIFICATIONS

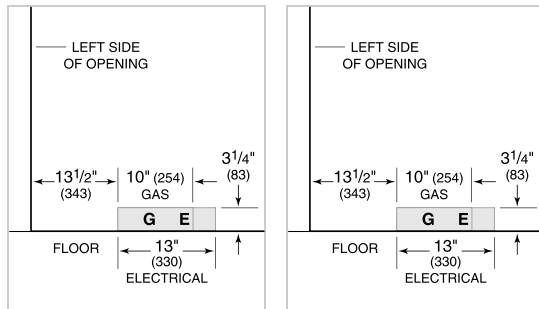
model	ICBDF366
dimensions	911mmW x 937mmH x 749mmD
Oven 1 Interior Dimensions	762mmW x 419mmH x 483mmD
Oven 1 Overall Capacity	153 L
Door Clearance	495mm
weight	202 kg
electrical-supply	220-240 VAC; 50/60 Hz
electrical-service	19 amp
gas-inlet	Class B or Class D hose assembly

DIMENSIONS



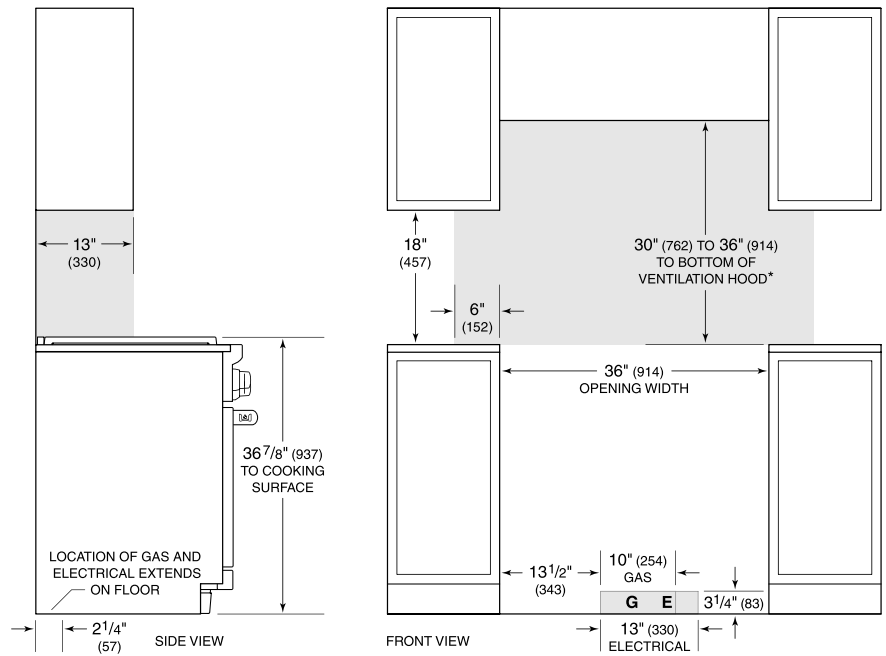
ELECTRICAL

GAS



NOTE: Dimensions in parenthesis are in millimeters unless otherwise specified

STANDARD INSTALLATION



**Without ventilation hood, 36\" (914) minimum clearance countertop to combustible materials, 44\" (118) for charbroiler.*

NOTE: Shaded area above countertop indicates minimum clearance to combustible surfaces, combustible materials cannot be located within this area.

For island installation, 12\" (305) minimum clearance back of range to combustible rear wall above countertop.