

## ICBSO24TE/S/TH

### FEATURES

Rigorously tested for decades of use

Exceptional support from our Customer Care team

Temperature probe cooks to ideal doneness and lets you know when it's ready

Hidden bake element and recessed broil element

11 cooking modes make meals easy

Black porcelain interior

Installs flush or proud with surrounding cabinetry

Self clean, delayed start, timed cook and more

Single convection oven for fast, consistent cooking

Quicker preheat for faster meal prep

Adjustable oven rack plus porcelain-coated pan

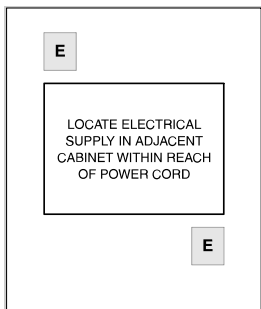
Dual halogen lights for better interior views



**PRODUCT-SPECIFICATIONS**

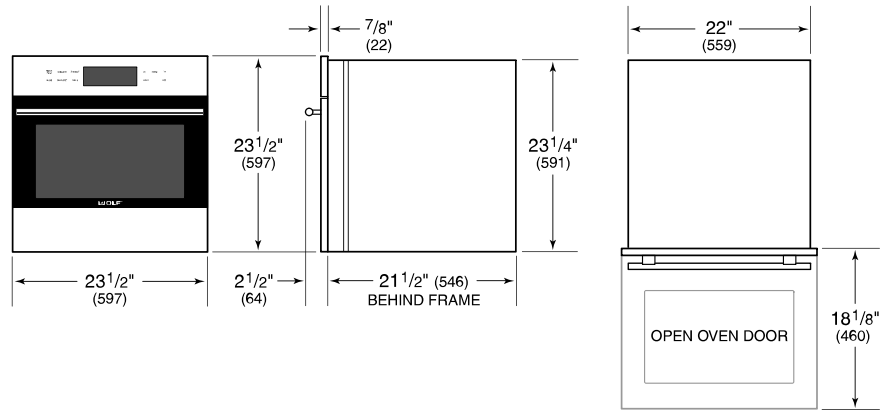
model	ICBSO24TE/S/TH
dimensions	597mmW x 597mmH x 546mmD
Oven 1 Interior Dimensions	457mmW x 349mmH x 406mmD
Overall Capacity	68 L
Door Clearance	460mm
weight	36 kg
electrical-supply	220-240 VAC; 50/60 Hz
electrical-service	3.4 kW

**ELECTRICAL**

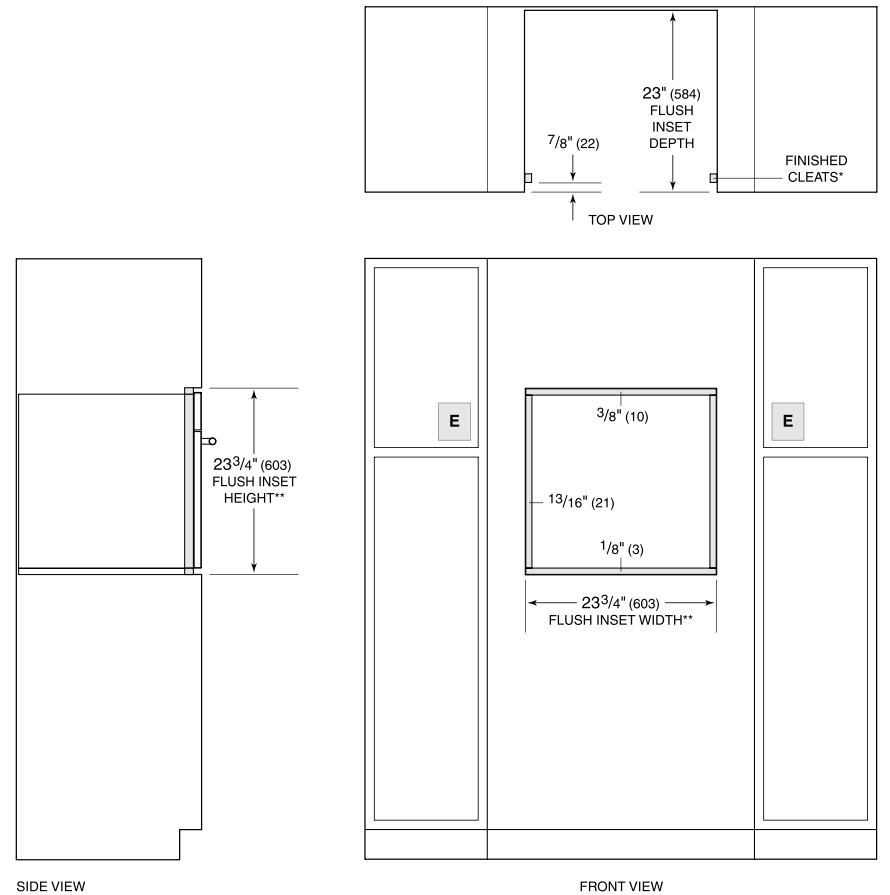


**NOTE:** Dimensions in parenthesis are in millimeters unless otherwise specified

**DIMENSIONS**



**FLUSH INSTALLATION**



SIDE VIEW

FRONT VIEW

\*Will be visible and should be finished to match cabinetry.

\*\*Dimension provides minimum reveals.

NOTE: Electrical supply must be located in adjacent cabinet within 3' (.9 m) of opening.