

ICBID-30R



## FEATURES

Rigorously tested to ensure decades of use

Exceptional support from Customer Care team

Ready to be fitted with custom panels and handles to blend with cabinetry

Soft-on LED lights for varying degrees of brightness

Smart-touch controls for streamlined access to more settings

Soft-close doors and drawers

Crispers and deli drawers in low-temp, high-humidity zones for optimum freshness

## ACCESSORIES

Crisper cover

Dual installation kits

Stainless steel front panels with tubular or pro handles

Stainless steel kickplate

Stainless Steel Pro Handles

Stainless Steel Tubular Handles

Accessories are available through an authorized dealer.  
For local dealer information, visit [subzero-wolf.com/locator](http://subzero-wolf.com/locator).



## HANDLE ACCESSORIES

PRO



TUBULAR



## PRODUCT-DETAILS

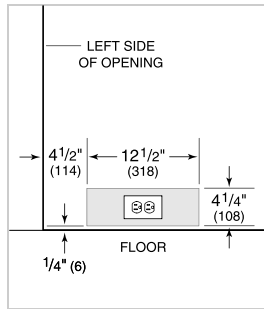
### REFRIGERATOR

- 2 refrigerator storage drawers with removable dividers
- Sliding crisper drawer cover

**PRODUCT-SPECIFICATIONS**

model	ICBID-30R
dimensions	762mmW x 876mmH x 610mmD
door-clearance	610mm
drawer-clearance	610mm
weight	95 kg
refrigerator-capacity	161 L
refrigerator-storage-capacity	97 L
electrical-supply	220-240 VAC; 50/60 Hz
electrical-service	≤ 2 A
receptacle	3-prong grounding-type

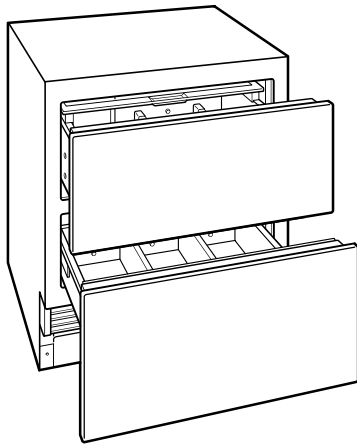
**ELECTRICAL**



**PANEL SPECIFICATIONS** For complete panels specifications including width/height, weight requirements and thickness requirements visit [subzero-wolf.com/reveal](http://subzero-wolf.com/reveal).

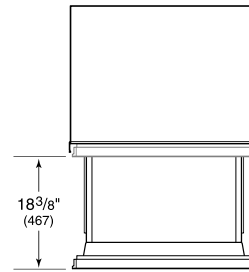
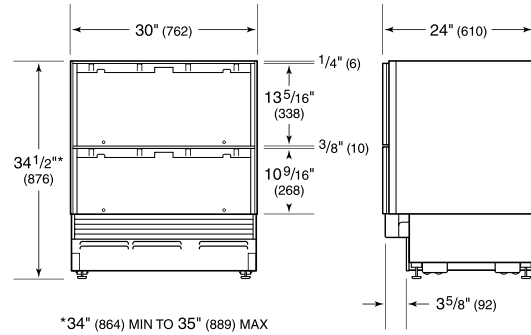
**NOTE:** Dimensions in parenthesis are in millimeters unless otherwise specified

**INTERIOR-VIEW**

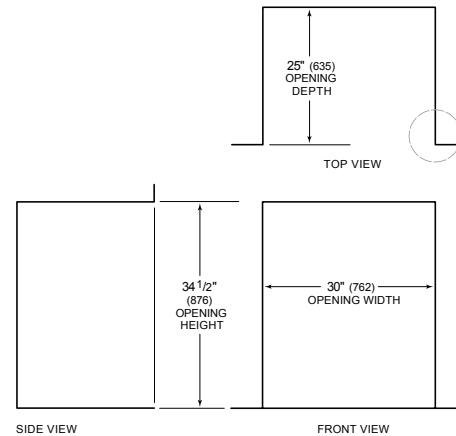


This illustration is intended for interior reference only and may not represent the exterior of the model being specified.

**DIMENSIONS**



**STANDARD INSTALLATION**



**NOTE:** 3 1/2" (89) finished returns will be visible and should be finished to match cabinetry

