

ICBBI-36S/S**FEATURES**

- _____ Rigorously tested to ensure decades of use
- _____ Exceptional support from Customer Care team
- _____ LED Lighting for brighter interior
- _____ Dual refrigeration keeps food fresher longer
- _____ Air purification system fights spoilage, odours
- _____ Microprocessor control assures peak performance
- _____ Crispers and deli drawers in low-temp, high-humidity zones for optimum freshness
- _____ Freshness cards for maximum food preservation
- _____ Magnetic door seal system locks in cold air
- _____ Automatic ice maker with "max ice" feature
- _____ Adjustable shelves for maximum convenience
- _____ Water-filtration system for ice reduces contaminants, chlorine taste and odor

ACCESSORIES

Grilles for 2108 mm or 2235 mm finished height (2134 mm is standard)

Dual installation kit with or without dual wide grille - 2134 mm finished height

Accessories are available through an authorized dealer.
For local dealer information, visit subzero-wolf.com/locator.

**HANDLE OPTIONS****PRO****TUBULAR****PRODUCT-DETAILS****REFRIGERATOR**

- 4 Adjustable glass shelves
- 1 Stationary glass shelf
- 1 High-humidity drawer
- 2 Storage drawers
- 3 Adjustable door shelves
- 2 Stationary door shelves
- Adjustable dairy compartment
- Air purification system

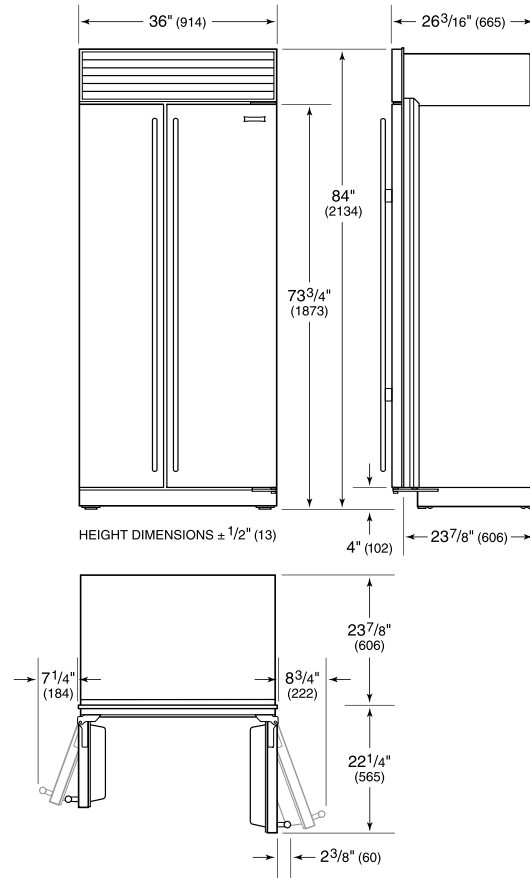
FREEZER

- 3 Adjustable wire shelves
- 1 Stationary solid shelf
- 3 Storage drawers
- 5 Adjustable door shelves
- Automatic ice maker
- Water filtration system

PRODUCT-SPECIFICATIONS

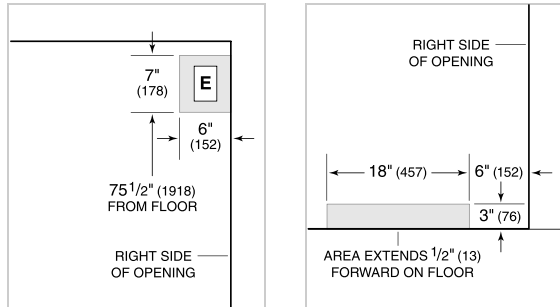
model	ICBBI-36S/S
dimensions	914mmW x 2134mmH x 610mmD
door-clearance	565mm
weight	244 kg
refrigerator-capacity	377 L
refrigerator-storage-capacity	331 L
freezer-capacity	262 L
freezer-storage-capacity	220 L
electrical-supply	220-240 VAC; 50/60 Hz
electrical-service	≤ 4 A
receptacle	3-prong grounding-type

DIMENSIONS



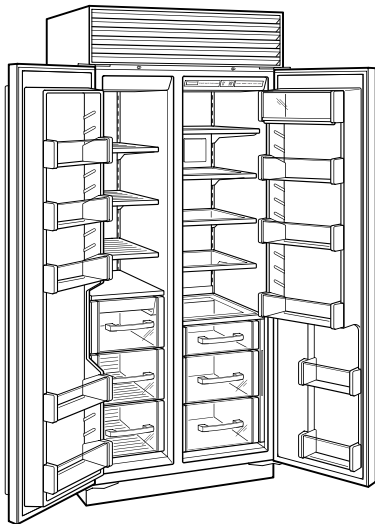
ELECTRICAL

PLUMBING



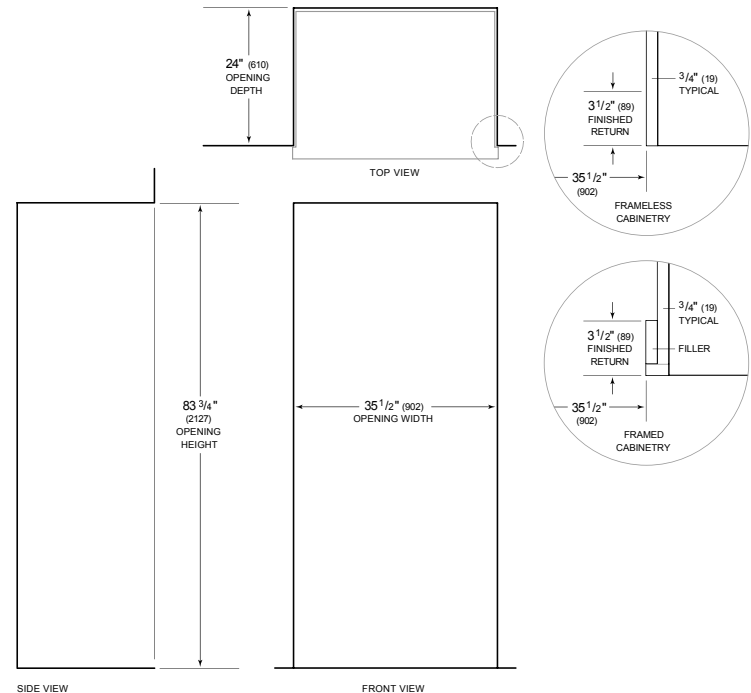
NOTE: Dimensions in parenthesis are in millimeters unless otherwise specified

INTERIOR-VIEW



This illustration is intended for interior reference only and may not represent the exterior of the model being specified.

STANDARD INSTALLATION



NOTE: 3 1/2" (89) finished returns will be visible and should be finished to match cabinetry. Shaded line represents profile of unit.